

POLISHING

DEBURRING

BRUSHING

BRIGHTENING

AUTOMATIC POLISHING MACHINE

POLISHING - DEBURRING - BRUSHING - BRIGHTENING



MACHINE ADVANTAGES

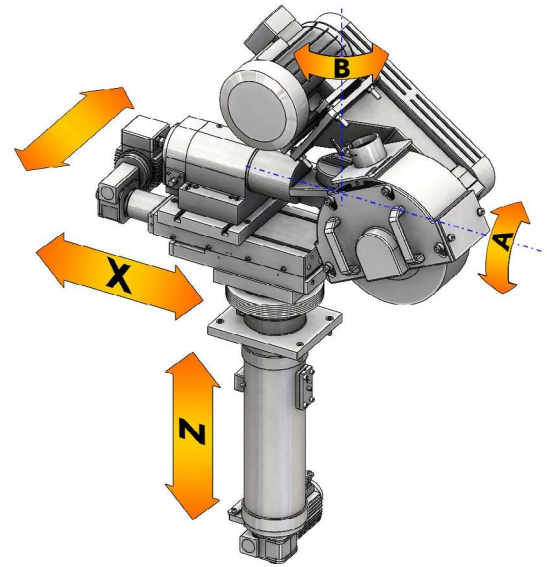
- ▾ Monobloc machine equipped with 4 work units
- ▾ Loading and unloading of parts in parallel with production process
- ▾ Machine control by PLC
- ▾ Part program and program storage
- ▾ Automatic management of tool wear
- ▾ Quick change system for consumables and tools to minimize series changing time
- ▾ Adjustable production from 120 to 1800 parts/hour, depending on the number of spindles
- ▾ Compact, flexible and modular, they offer quality and precision of repeatability for small, medium and large batches

MAIN FUNCTIONS

- Siemens PLC permits control of the rotary table, X and Z axis, spindle speed, spindle clamps, vertical and horizontal tool wear compensation and polishing paste control
- Automatic polishing paste distribution with adjustable frequency and quantity
- Automatic management of tool wear compensation driven by contact point setting of the tool
- Programming, verification and machine control by movable console with user interface

EQUIPEMENT

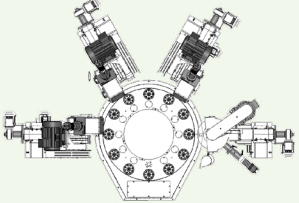
- Integrated protection cabinet with access doors facilitating easy adjustments and series changes
- 1 rotary table Ø800 equipped with 6 spindles, locking/unlocking and automatic part rotation
- 4 work units Ø max 300/35 x 100 with Quick change system. Brush housing equipped with quick-closing casing.



OPTIONS

- Vacuum pneumatic clamping (not illustrated)
- Abrasive belt device 100 x 2000 mm (not illustrated)
- Other options on demand

TECHNICAL CHARACTERISTICS

Rotary table	
Parts	
Part diameter MAX	150 mm
Part height MAX	200 mm
Part weight MAX	2 kg
Other sizes and weight	Upon request
Machine configuration	
Working units	4
Spindle dimensions	Ø300/35 x 100 (Ø350/35 x 100)
Speed	600 à 2'800 min ⁻¹
Power	3 kW
Machine control	PLC Siemens
Programming	MMI
Wear compensation and motorized positioning of X and Y axis	X = 130 mm Z = 230 mm
Rotary Table	Ø 800 mm
Rotation speed	0.3 à 5 min ⁻¹
Number of spindles	6 (12 ou 18)
Spindle drive	24 à 340 min ⁻¹
Wet process configuration	No
Rotary table management	Index or continuous work process
Clamping	
Interface for automatic spindle locking	Spindle nose M22x1.5/M8
Vacuum locking	Yes (option)
Tail stock	Yes (option)
Installations	
Overall dimensions: Length x Width x Height	2.14 x 3.75 x 2.35 (2.50) m
Weight	4'450 kg
Installed power	21 kW
	3 x 400V-3PE - 50Hz
Air pressure (MIN-MAX)	6 bar (5-7)

